



5331 West Orange Street | Pearland, Texas 77581 | Ph: 281.485.1911

PO#: \_\_\_\_\_  
Company: \_\_\_\_\_  
Contact: \_\_\_\_\_  
Signature: \_\_\_\_\_

Ship To: \_\_\_\_\_

System Details			Color		Dimensions				Rail*		Sill+		Box	Location	
Shutter System	Vent**		Curtain	Frame***	Width	FM/+	Height	FM/RH	Size	S/R	L/U	Size	45°/90°	L	R
	Y	N													

Gear and Override Options	#Ch
Removable Crank - 46"	
Fixed Crank - 46"	
Concealed/Special Crank - 53"	
Other	

Strap Options	#Wh	#Br
Recoil Box		
Strap Crank		

Wireless Controls	# White
Remote Transmitter 1 Channel	
Remote Transmitter 4 Channel +	
Wall Transmitter 1 Channel +	
Wall Transmitter 4 Channel +	
Key Pad +	

+ SURCHARGE APPLIES



### Rolling Shutter Order Form Guide

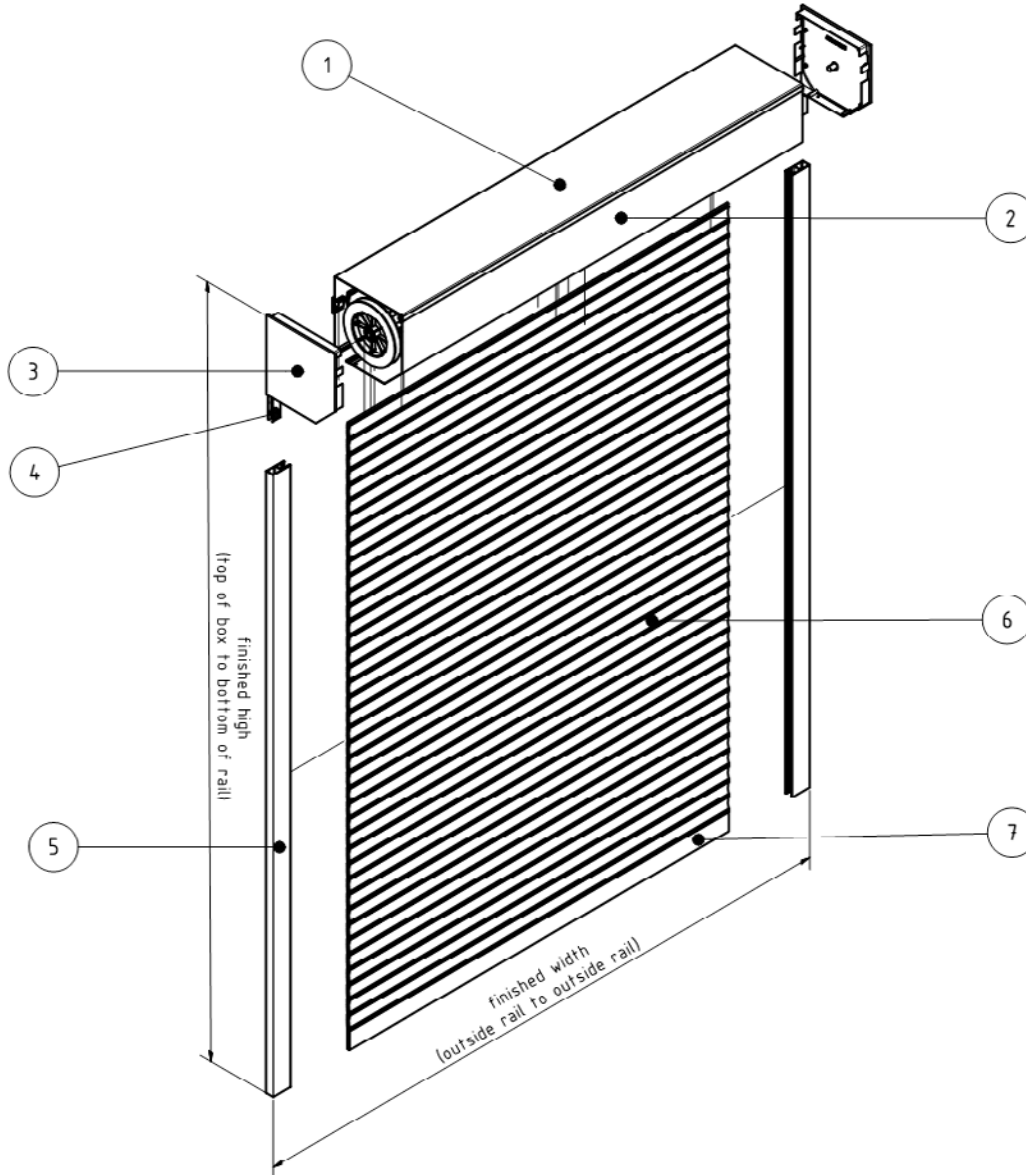
## Table of Contents

- Important Rolling Shutter Terminology 3
- Important Dimensional Terminology 4
- Step by Step Order Form Guide and Explanation 5

Please Reference the System Specification Book (for shutter system details)  
Installation Instructions

This order guide is very detailed and specific. If you have any questions or concerns, please do not hesitate to call us.

## Important Rolling Shutter Terminology

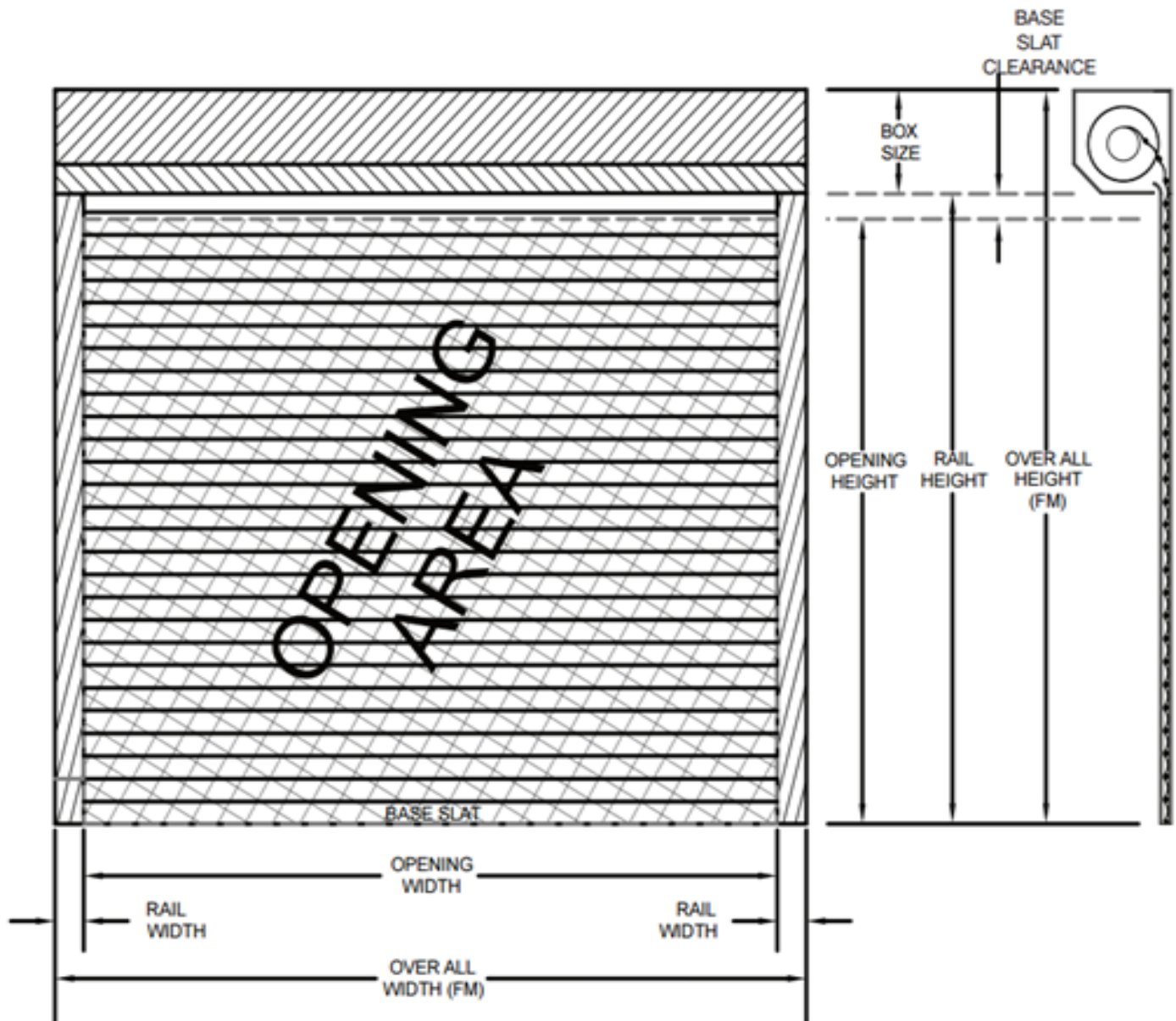


### Important Rolling Shutter Terminology

- |    |                                     |                                    |
|----|-------------------------------------|------------------------------------|
| 1. | Box cover Top/Back                  |                                    |
| 2. | Front/Bottom-Cover and Access Panel | Shutter Housing or also called Box |
| 3. | Side caps                           |                                    |
| 4. | Side cap - Leg                      |                                    |
| 5. | Rails                               |                                    |
| 6. | Curtain                             |                                    |
| 7. | Base slat                           |                                    |



## Important Dimensional Terminology



## Step by Step Order Form Guide and Explanation

		System Details		Color	
#	Shutter System	Vent**		Curtain	Frame***
		Y	N		
1	A-150	√		White	Bronze

System Details	Shutter System	Enter what type of system (i.e. A-150)
		Vent / Light Slits
Color	Curtain	<p>For curtain colors, see <b>SYSTEM SPECIFICATION SHEETS</b></p> <p><b>Available Curtain Colors for DuraComfort Series:</b> White, Light Beige, Arcona Beige (Dark Beige), Cream, Grey, Metallic, Dark Brown, Bronze</p> <p><b>Available Colors for Shopguard and SecuraMax Series:</b> White, Light Beige, Cream, Anodized Silver, Bronze</p> <p><b>NOTE: THE BASE SLAT IS NOT PART OF THE CURTAIN. SEE DRAWING ABOVE</b></p>
	Frame	<p><b>THE SHUTTER FRAME CONSISTS OF SHUTTER HOUSING (BOX), RAILS, AND BASESLAT.</b> Think of the shutter frame as a picture frame (see drawing above)</p> <p><b>Available frame colors:</b> White, Light Beige, Arcona Beige (Dark Beige), Cream, Grey, Metallic, Dark Brown, Bronze</p>

## Step by Step Order Form Guide and Explanation

Dimensions			
Width	FM/+	Height	FM/RH
72	FM	70	RH

<b>Dimensions</b>	<b>Width</b>	<b>Enter Width</b>
	<b>FM / +</b>	<p>Specify the type of Measurement:</p> <p><b>FM</b> = Overall Width / FM (Finished Measurement) Overall width includes rails.</p> <p><b>+</b> = Opening Width + does not include rails and Rollac will add for the rails</p>
	<b>Height</b>	Enter Height
	<b>FM / RH</b>	<p><b>FM</b> = Overall Height / FM (Finished Measurement) Overall height includes Shutter Housing.</p> <p><b>RH</b> = Rail Height. Rollac will add the appropriate shutter housing</p> <p><b>PLEASE BE AWARE OF THE DIFFERENCE BETWEEN RAIL HEIGHT AND OPENING HEIGHT.</b></p> <p>When the curtain is fully retracted in the housing, the base slat is exposed about 2" in the guide rails. Thus, the clear opening is 2" less than the rail height. Rollac order form specifies the rail height.</p> <p><b>Example: If you need a clear opening height of 100" – please add 2" to arrive at the rail height.</b></p>

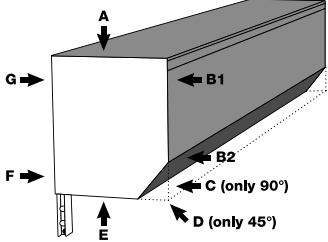
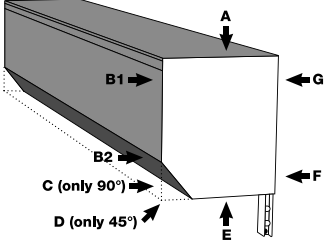
## Step by Step Order Form Guide and Explanation

Rail*		Sill+		Box
Size	S/R	L/U	Size	45°/90°
2.5	S	L	1.25	45

<b>Rail</b>	<b>Size</b>	Please provide the size of the rails. For available rail sizes see SYSTEM SPECIFICATION SHEETS
	<b>S / R</b>	<p>Specify how the rails should be drilled</p> <p><b>S = Standard. For Face Mount Installation</b> The Standard Drill is a face drill into the rails with a ½” hole spaced 12” apart. Shutters to meet Hurricane Code are drilled differently.</p> <p><b>R = Recess: For Recess Mount Installation</b> Rollac will drill through the throat of the rail. The hole size is ½” and they will be spaced 12” apart..</p> <p><b>PLEASE BE AWARE THAT THE RECESS DRILL IS NOT AVAILABLE FOR ROLLAC’S END RETENTION SYSTEMS (HD SYSTEMS) AND HURRICANE APPLICATIONS. IF THESE ARE INSTALLED RECESSED. THESE SYSTEMS REQUIRE AN ADDITIONAL MOUNTING ANGLE.</b></p>
<b>Sill</b>	<b>L / U</b>	<p>Rolling Shutters require a bottom stop, i.e. window sill. If a bottom stop is not available, it can be purchased for a surcharge. Available type of sills are:</p> <p><b>L:</b> L-Angle <b>U:</b> U Channel</p>
	<b>Sill (For L-Angle)</b>	<p>If you choose an L-Angle, please specify the sizes. Most popular are:</p> <p>1”x 1.25” 2” x 2”</p>
<b>Box</b>	<b>45 / 90</b>	<p>Choose one of those designs.</p> <p><b>PLEASE BE AWARE THAT 12” HOUSING IS ONLY AVAILABLE IN 45 DEGREE STYLE</b></p>

## Step by Step Order Form Guide and Explanation

Operator	Feed Exit	Feed Exit Override
RTS-CMO	G	E

<b>Operator Location</b>	<b>Location</b>	<p>Specify the Operator Location left or right. VIEWING DIRECTION AS INDICATED</p> <div style="display: flex; justify-content: space-around;"> <div style="text-align: center;"> <p><u>Left Side</u></p>  </div> <div style="text-align: center;"> <p><u>Right Side</u></p>  </div> </div>
<b>Operator</b>	<b>Operator</b>	<p>See <b>SYSTEM SPECIFICATION SHEETS</b> for a list of available operators per system.</p> <p><b>Manual Operators:</b>                      Recoil Box (Tape Drive)                      Crank Box (Tape Drive)                      Gear Operated                      Push / Pull</p> <p><b>Motorized Operators:</b>                      Motor (with Switch)                      Motor Override / CMO (with Switch and Manual Override)                      Remote Motor / RTS (with Remote Control)                      Remote Control Override / RTS CMO (Motor with Remote Control and Manual Override)</p>
	<b>Feed Exit</b>	<p>Specify the feed exit position for your operator (see drawing)                      Feed exit specifies the position of where a motor wire comes out or where the universal's drive shaft for a gear shall come in.</p>
	<b>Feed Exit Override</b>	<p>This applies to motors with Manual Override. Specify the Feed exit for the manual override.</p>



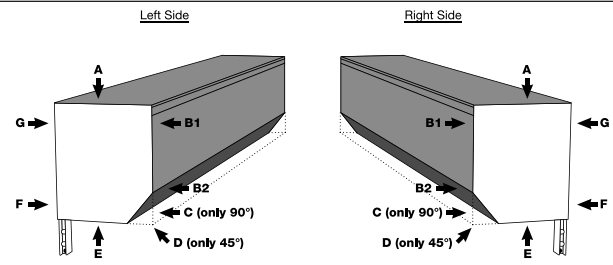
JOB/P.O. \_\_\_\_\_ Date \_\_\_\_\_ Sales Person \_\_\_\_\_ Page \_\_\_\_\_  
 Company \_\_\_\_\_ Street \_\_\_\_\_  
 Cont. Person \_\_\_\_\_ City/State \_\_\_\_\_  
 Phone \_\_\_\_\_ Zip Code \_\_\_\_\_  
 Fax \_\_\_\_\_ Email \_\_\_\_\_

Shutter # \_\_\_\_\_ Product: \_\_\_\_\_  No Light Slits  E.R. System  
 Box Color: \_\_\_\_\_ Slat Color: \_\_\_\_\_ Base Slat Color: \_\_\_\_\_ Rail Color: \_\_\_\_\_  
 Box Shape  45°  90°  
 Width: \_\_\_\_\_  FM  Opening  
 Height: \_\_\_\_\_  FM  Rail Height

Rail Size	<input type="checkbox"/> 2.125"	<input type="checkbox"/> 2.5"	<input type="checkbox"/> 3"	<input type="checkbox"/> 3" HS	<input type="checkbox"/> 3" ER	<input type="checkbox"/> 3.5" ER	<input type="checkbox"/> 3.75" ER	Sills	<input type="checkbox"/> U Channel	<input type="checkbox"/> L Angle
Rail Hole Size	<input type="checkbox"/> 1/2"	<input type="checkbox"/> 5/8"	<input type="checkbox"/> _____ inch	<input type="checkbox"/> no holes	<input type="checkbox"/> other	<input type="checkbox"/> 3cm cut				
Rail Hole Distance	<input type="checkbox"/> Standard 12"	<input type="checkbox"/> _____ inch	<input type="checkbox"/> recessed							

Operator:	<input type="checkbox"/> REG	<input type="checkbox"/> RTS/HZ	<input type="checkbox"/> CMO/DMI	<input type="checkbox"/> RTSCMO	<input type="checkbox"/> ROLLAC
Motor:	<input type="checkbox"/> GEAR	<input type="checkbox"/> REC. BOX	<input type="checkbox"/> CRANK BOX	<input type="checkbox"/> PUSH/PULL	<input type="checkbox"/> SIMU
Others:					<input type="checkbox"/> SOMFY

Location: (side viewed from inside)  
 Left  Right  
 Axle:  
 Steel  Aluminum

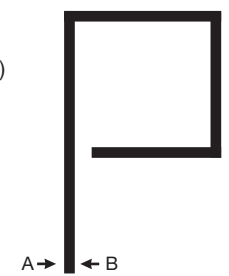


Operator Position  
 A  D  G  
 B  E  
 C  F

Remote / Transmitter:	Switch Options:	White	Ivory	1 Pole	2 Pole
<input type="checkbox"/> Single Channel	<input type="checkbox"/> Maintained	<input type="checkbox"/>	<input type="checkbox"/>	<input type="checkbox"/>	<input type="checkbox"/>
<input type="checkbox"/> Multi Channel	<input type="checkbox"/> Momentary	<input type="checkbox"/>	<input type="checkbox"/>	<input type="checkbox"/>	<input type="checkbox"/>
<input type="checkbox"/> Wall Switch	<input type="checkbox"/> Key switch	<input type="checkbox"/>	<input type="checkbox"/>	<input type="checkbox"/>	<input type="checkbox"/>
<input type="checkbox"/> Other _____	<input type="checkbox"/> Key Pad	<input type="checkbox"/>	<input type="checkbox"/>	<input type="checkbox"/>	<input type="checkbox"/>
	<input type="checkbox"/> Toggle				
	<input type="checkbox"/> Rocker				
	<input type="checkbox"/> Paddle				
	<input type="checkbox"/> Other _____				

Gear and Override Options  
 Removable Crank - 46" with 2 hole universal  
 Fixed Crank - 46" with 2 hole universal  
 Special Crank for concealed operation - 53"

Base Slat Lock:  
 Slide  Cylinder  Commercial  
 Lock Position:  
 A (Back)  B (Coil Side)  
 Thumb Turn Position:  
 A (Back)  B (Coil Side)



Date: \_\_\_\_\_ PO#: \_\_\_\_\_  
 Company: \_\_\_\_\_  
 Contact: \_\_\_\_\_  
 Phone: \_\_\_\_\_ Signature: \_\_\_\_\_

Ship To: \_\_\_\_\_  
 \_\_\_\_\_  
 \_\_\_\_\_

#	System Details			Color		Dimensions			Rail*		Sill+		Box	Location		Operator	Feed Exit	Feed Exit Override
	Shutter System	Vent**		Curtain	Frame***	Width	FM+	Height	FM/RH	Size	S/R	L/U	Size	45°/90°	L			
		Y	N															
1																		
2																		
3																		
4																		
5																		
6																		
7																		
8																		
9																		
10																		

+ SURCHARGE APPLIES

Gear and Override Options	#Ch
Removable Crank - 46"	
Fixed Crank - 46"	
Concealed/Special Crank - 53"	
Other	

Strap Options	#Wh	#Br
Recoil Box		
Strap Crank		

Wireless Controls	# White
Remote Transmitter 1 Channel	
Remote Transmitter 4 Channel +	
Wall Transmitter 1 Channel +	
Wall Transmitter 4 Channel +	
Key Pad +	

+ SURCHARGE APPLIES

Switch Controls	#Wh	#lv
Rocker Switch Maint.		
Rocker Switch Mom.		
Paddle Switch Maint.		
Paddle Switch Mom.		
Key Switch Mom. +		

+ SURCHARGE APPLIES

Feed exit viewing direction as indicated.

**Base Slat Lock:**  
- SURCHARGE APPLIES

- Slide
- Padeye
- Cylinder
- Commercial
  - Standard
  - Best

**Lock Position**

- (A) Back
- (B) Coil Side

**Thumb Turn Position**  
[Commercial]

- (A) Back
- (B) Coil Side

\*For rails: Standard is 12" with 1/2" holes. Comment if rails should be drilled otherwise.

\*\* Light Slits are available for DuraComfort Line (A150, A200, A150H, A200H, A200HD), and SecuraMax RLL3

\*\*\* Frame consists of shutter housing, rails, and base slat.

Comments: \_\_\_\_\_  
 \_\_\_\_\_  
 \_\_\_\_\_

Notes: \_\_\_\_\_  
 \_\_\_\_\_  
 \_\_\_\_\_



Experience  
Technology  
Higher Standards

Since 1982, Rollac has operated with a vision of quality, service, and modern technology to produce the best possible product for our customers. Each product is custom manufactured for every single job to ensure the best fit and finish. Regardless if you are looking to enhance security, add comfort to a space, or seek protection from the elements, Rollac has the solution for your home or work environment.

**ROLLAC** 

5331 West Orange Street  
Pearland, TX 77581

toll free 1.888.2-ROLLAC  
phone 281.485.1911  
fax 281.485.0839

